



Flexible  
bellows  
for fans



PRODUCTOS  
PLASTICOS  
ANTICORROSIVOS



# Flexible bellows for fan vibration absorption

The PPA VENT antivibration bellows are manufactured out of corrosion resistant materials, thus allowing its use in ventilation systems which convey gasses and aggressive fluids.

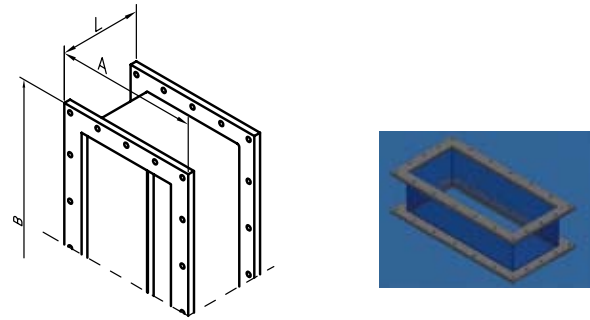
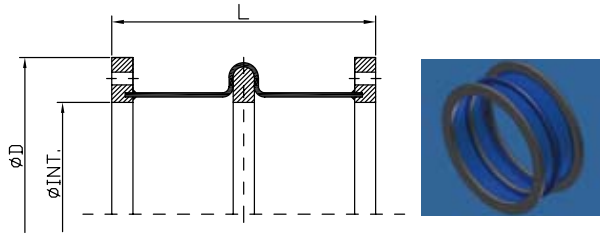
Its flanged design prevents leakage in the connections with other elements of the ventilation system. It is likewise supplied with anti-collapse rings that prevent deformations in its use with high temperatures and negative pressures. It is manufactured tailored to the operational needs of each installation..

## Advantages:

- High flexibility and capacity to absorb vibrations.
- High anti-collapse resistance due to the inner reinforcement rings manufactured in non-corrosive material. Can be used in high negative pressures and temperatures.
- Manufactured out of non-corrosive materials. Suitable for corrosive and aggressive gases.
- Flanged. No drips or leaks in its connection with other system components. Suitable for use in systems with corrosive fluid condensates.
- Excellent durability.
- Tailored to customer 's specifications, available in any size and adaptable to any need.



**Measures of flanged flexible bellows for our standard fan series vm and va**



SIZE	Ø INT.	Ø D	L
VA-100	110	200	150
VA-125	125	225	150
VA-160	160	250	150
VA-180	180	280	150
VA-200	200	300	150
VA-224	225	325	150
VA-250	250	350	250
VA-280	280	380	250
VA-315	315	400	250
VA-355	355	450	250
VA-400	400	500	250
VA-450	450	550	250
VA-500	500	600	250
VA-560	560	650	250
VA-630	630	730	250
VA-710	710	800	250
VA-800	800	900	250
VA-900	900	1000	250
VA-1000	1000	1100	350
VM-100	110	200	150
VM-125	125	225	150
VM-160	160	250	150
VM-180	180	280	150
VM-200	200	300	150
VM-224	225	325	150
VM-250	250	350	250
VM-280	280	380	250
VM-315	315	400	250
VM-355	355	450	250
VM-400	400	500	250
VM-450	450	550	250
VM-500	500	600	250
VM-560	560	650	250
VM-630	630	730	250
VM-710	710	800	250
VM-800	800	900	250
VM-900	900	1000	250
VM-1000	1000	1100	250
VM-1120	1100	1200	250
VM-1250	1200	1300	350
VM-1400	1400	1500	350
VM-1600	1600	1700	350
VM-1800	1800	1900	350

SIZE	A	B	L
VA-100	124	204	150
VA-125	149	254	150
VA-160	172	300	150
VA-180	182	326	150
VA-200	204	366	150
VA-224	221	415	150
VA-250	236	443	250
VA-280	266	488	250
VA-315	286	538	250
VA-355	320	610	250
VA-400	354	680	250
VA-450	380	746	250
VA-500	430	852	250
VA-560	465	930	250
VA-630	505	1030	250
VA-710	560	1150	250
VA-800	620	1270	250
VA-900	680	1410	250
VA-1000	740	1560	350
VM-100	139	176	150
VM-125	158	204	150
VM-160	190	254	150
VM-180	205	276	150
VM-200	222	300	150
VM-224	242	326	150
VM-250	272	366	250
VM-280	296	415	250
VM-315	320	443	250
VM-355	346	488	250
VM-400	376	538	250
VM-450	435	610	250
VM-500	475	680	250
VM-560	530	746	250
VM-630	580	852	250
VM-710	650	930	250
VM-800	710	1030	250
VM-900	800	1150	250
VM-1000	880	1270	250
VM-1120	980	1410	250
VM-1250	1060	1560	350
VM-1400	1200	1780	350
VM-1600	1320	1980	350
VM-1800	1450	2180	350



[www.grupoppa.es](http://www.grupoppa.es)



[www.ppa.es](http://www.ppa.es)



[www.ppakrah.com](http://www.ppakrah.com)



[www.ppamaritime.com](http://www.ppamaritime.com)



[www.ppaalgerie.com](http://www.ppaalgerie.com)



[www.ppaperu.com](http://www.ppaperu.com)